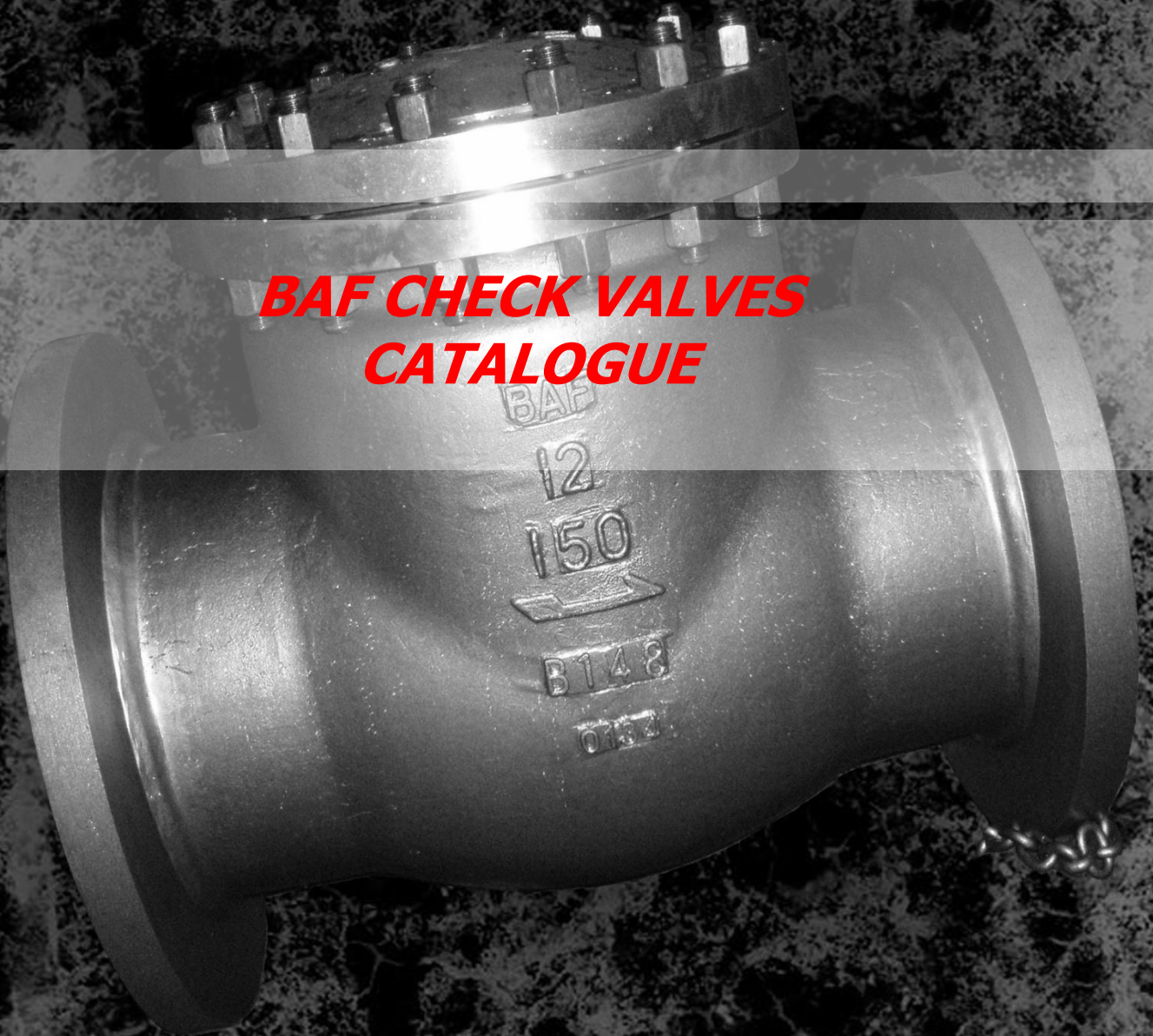


***BAF CHECK VALVES
CATALOGUE***



Index

About BAF Valves	Fout!
Bladwijzer niet gedefinieerd.	
Certificates	3
BAF CHECK VALVE	5
BAF Swing Check Valve, Cast Steel, Class 150, 300 and 600	6
BAF Swing Check Valve, Cast Steel, Class 900 and 1500	7
BAF Swing Check Valve, Pressured Sealed, Class 900, 1500 and 2500	8
BAF Piston / Ball Check Valve, Forged Steel, NPT & SW Ends, Class 800 and 1500	9
BAF Flanged / Check Valve, Forged Steel, Class 150~600	10
BAF Wafer Dual Plate Check Valve, Class 150~1500	11
BAF Wafer Lifting Check Valve, Class 150~900	12
BAF Non Slam Check Valve, Class 150~600 and 900~1500	13

Over the last 35 years BAF Valves has established high engineering and manufacturing standards. The reputation for quality first without compromise has been truly earned and is still highly valued by our organization to secure customer satisfaction. Our facilities are equipped with up to date and professional machinery and our operations are using fully integrated and modern supporting ERP systems. This securing a high level of control over all our process and services. It is our honor and pleasure to serve you as our valued customer.

About BAF Valves

BAF Valves was established in 1972 and is one of the leading manufacturers in Europe producing standard and non-standard butterfly valves, valve spare parts and valve accessories. Our products can be supplied fully custom made to your requirements or just in accordance to international design standards. BAF butterfly valves are exported throughout the world for all kinds of piping applications such as On- and Offshore, Refineries, (Petrol) Chemical Industries, Power Plants, Waterworks, Ships, etc. In case required, we can submit our valve reference list accordingly. It is our aim to be your 'best' partner in solving valve problems.

BAF Valves manufactures valve sizes up to DN2500/100" to any design standard or flange alignment such as DIN / ANSI / BS / JIS / AWWA, etc. Pressure ratings up till PN25. * (larger size/rates available upon request). Furthermore, we have our own design department, machine-shop and test- and repair facilities, which includes the reconditioning and/or modification of any type or brand of butterfly valves. BAF Valves is also your partner for the world wide supply of valve spare parts or engineering services at job sites, when required.

All our butterfly valves, accessories and relevant products are manufactured fully in accordance to our certified Quality Assurance System ISO9001:2000/LRQA certificate nr. 650834.



Certificates

- Achilles Certificate
- Fire safe cert DN100 till DN200
- Fire safe cert DN200 and larger
- ISO 9001 BAF Valves
- Lloyds type approval Double flanged
- Lloyds type approval Wafer
- PED BAF
- Stoomwezen
- WRAS
- KIWA

All these certificates can be downloaded from our website www.bafvalves.com.



BAF Companies

Head office and production facility:

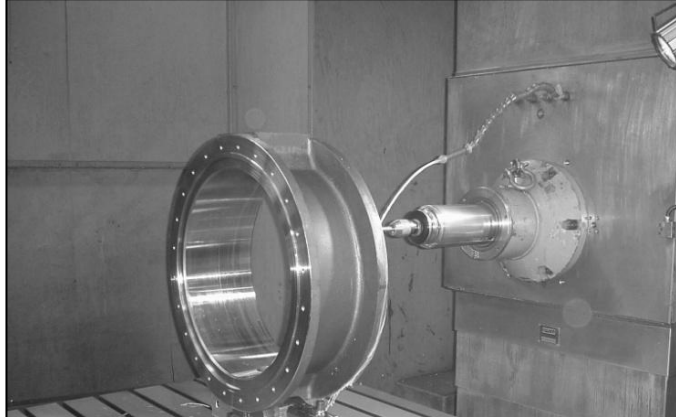
- **BAF VALVES**
 Kanaalstraat 7
 4905 BH, Oosterhout
 The Netherlands
 Phone +31 162 460840
 Fax +31 162 460488
 Email info@bafvalves.com

Sales offices:

- **BAF Valves Kuwait WLL**
 Mina Abualla Industrial Area,
 BLock 5, Area 72A-96
 Kuwait
 Phone +965 2326 0744
 Fax +965 2326 2914
 Email info@bafvalves.com
- **BAF Valves Asia Pacific Pte Ltd**
 No 21 Bukit Batok Crescent
 #06-82 WCEGA Tower
 Singapore 658065
 +65 6570 0212
 +65 6570 0210
 Email info@bafvalves.com
- **BAF Valves Hong Kong Ltd**
 Aberdeen
 Unit 1711-1714
 17th Floor Hing Wai
 No. 7 Tin Wan
 Hong Kong
 Email info@bafvalves.com
- **BAF Valves Middle East FZE**
 PO Box 50567
 Hamriyah Free Zone – Shj
 United Arab Emirates
 Email info@bafvalves.com
- **BAF Valves Shanghai Co., Ltd**
 Rm1811 Far East Building,
 No.1101 South Pudong Rd. Pudong
 Shanghai 200120
 China
 Email info@bafvalves.com

Production facility

- **BAF Valves Jiaxing Manufacturing Co. Ltd**
 No. 26 Qiangshen Road
 Xingcheng Town, Xiuzhou
 District, Jiaxing Zhejiang
 Province 314015,
 China
 Email info@bafvalves.com



BAF CHECK VALVE

BAF Check valves are designed to meet various applications in the chemical, petrochemical, upstream storage and power industries. BAF design covers Swing, Piston, Ball as well as Dual plated Check towards the latest international standards and can be supplied in a large variety of ferrous, non ferrous and alloy materials.

Design standards :

- BS1868
- ASME B16.34
- API594

Face to Face and end to end dimension conform to :

- BS EN 558
- ASME B16.10
- ISO 5752
- API594

Connections :

- End flange dimensions conform to ASME B16.5 / B16.47
- BW end dimensions conform to ASME B16.25

Inspection and test in accordance with :

- API 598
- BS EN 12266-1

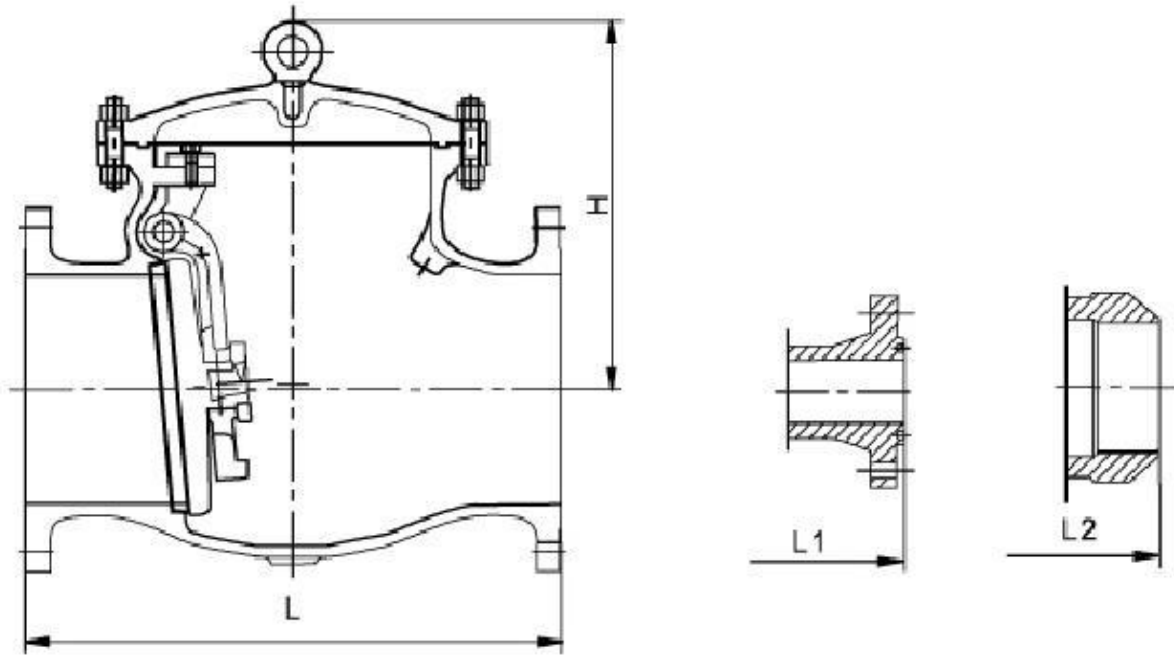
Part list

Valve Part Name	
1	Body
2	Seat Ring
3	Disc
4	Disc washer
5	Disc nut pin
6	Disc nut pin
7	Hinge
8	Hinge pin
9	Bearing bracket
10	Spring washer
11	Hex Bolt
12	Gasket
13	Bonnet
14	Bonnet bolt nut
15	Bonnet bolt
16	Eye Bolt

Bill of material

Valve Part Name	Carbon Steel	Stainless Steel	
	WCB / 13Cr	CF8	CF8M
Body	A216 WCB	ASTM A351 CF8	ASTM A351 CF8M
Seat Ring	A105 + Stl	ASTM A351 CF8	ASTM A351 CF8M
Disc	WCB + 13%Cr	ASTM A351 CF8	ASTM A351 CF8M
Hinge	A216 WCB	ASTM A351 CF8	ASTM A351 CF8M
Nut	ASTM A194 2H	ASTM A194 8	ASTM A194 8M
Hinge pin	ASTM A182 F6a	ASTM A182 F304	ASTM A182 F316
Bonnet	ASTM A216 WCB	ASTM A351 CF8	ASTM A351 CF8M
Bonnet bolt	ASTM A183 B7	ASTM A193 B8	ASTM A193 B8M
Bonnet Nut	ASTM A194 2H	ASTM A194 8	ASTM A194 8M
Gasket	SS304 / graphite	SS304+graphite	SS316+graphite
Eye Bolt	Cast Steel	Cast Steel	Cast Steel

BAF Swing Check Valve, Cast Steel, Class 150, 300 and 600

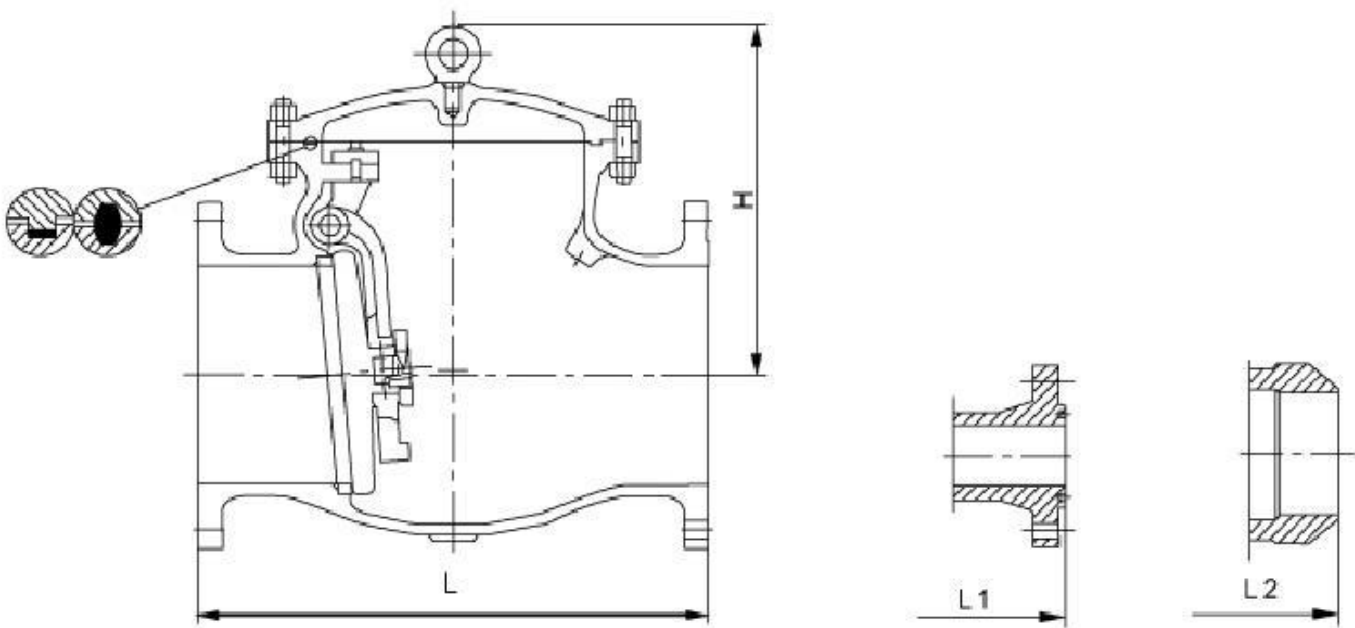


CLASS 150																
SIZE	inch	2	2 1/2	3	4	5	6	8	10	12	14	16	18	20	24	30
	mm	50	65	80	100	125	150	200	250	300	350	400	450	500	600	750
L	mm	203	216	241	292	330	356	495	622	699	787	864	978	978	1295	1524
L1	mm	216	229	254	305	343	368	508	635	711	800	876	991	991	1308	-
L2	mm	203	216	241	292	330	356	495	622	699	787	864	978	978	1295	1524
H	mm	144	150	181	259	230	303	373	417	478	540	620	690	720	740	1005
WT (RF)	Kg	17	20	25	40	67	93	134	199	305	370	542	750	900	1200	2100

CLASS 300																
SIZE	inch	2	2 1/2	3	4	5	6	8	10	12	14	16	18	20	24	
	mm	50	65	80	100	125	150	200	250	300	350	400	450	500	600	
L	mm	267	292	318	356	400	445	533	622	711	838	864	978	1016	1346	
L1	mm	283	308	333	371	416	460	549	638	727	854	879	994	1035	1368	
L2	mm	267	292	318	356	400	445	533	622	711	838	864	978	1016	1346	
H	mm	167	185	210	281	300	323	399	440	462	571	659	676	742	810	
WT (RF)	Kg	23	37	46	71	100	118	202	296	428	583	754	935	1155	1408	

CLASS 600																
SIZE	inch	2	2 1/2	3	4	5	6	8	10	12	14	16	18	20	24	
	mm	50	65	80	100	125	150	200	250	300	350	400	450	500	600	
L	mm	292	330	356	432	508	559	660	787	838	889	991	1092	1194	1397	
L1	mm	295	333	356	435	511	562	664	791	841	892	994	1095	1200	1407	
L2	mm	292	330	356	432	508	559	660	787	838	889	991	1092	1194	1397	
H	mm	168	215	215	297	330	365	444	500	542	610	765	786	845	940	
WT (RF)	Kg	26	32	49	86	165	252	429	557	670	944	1300	1760	2200	2864	

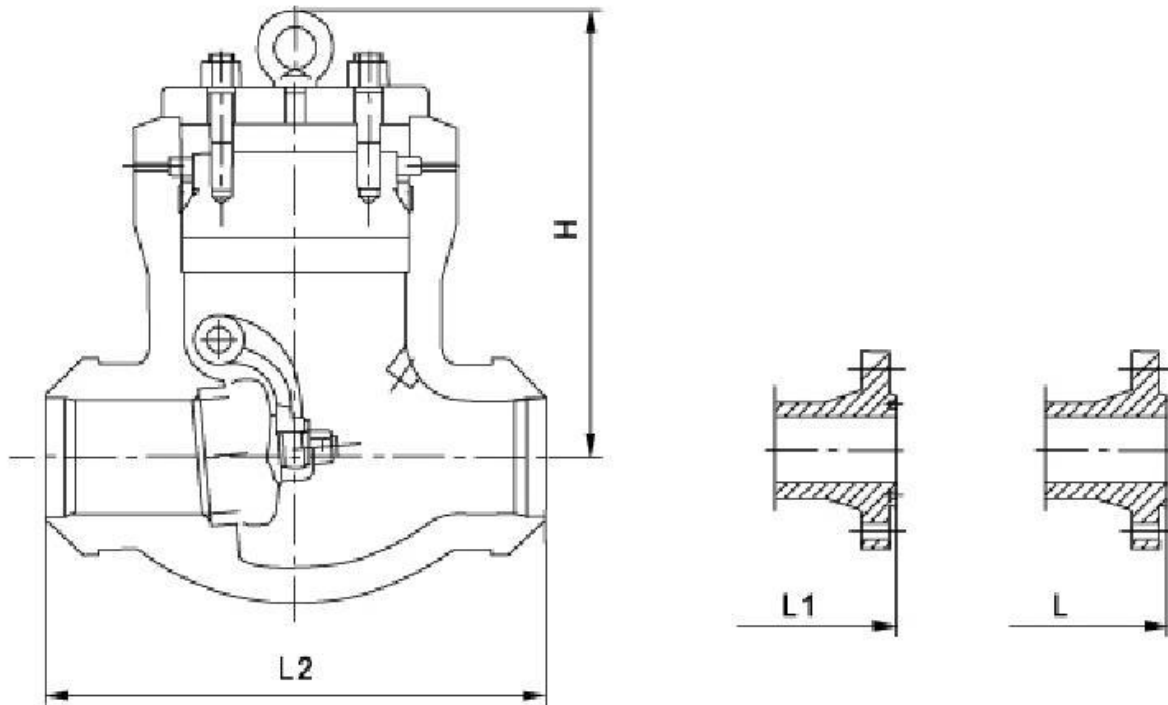
BAF Swing Check Valve, Cast Steel, Class 900 and 1500



CLASS 900											
SIZE	inch	2	2 1/2	3	4	6	8	10	12	14	16
	mm	50	65	80	100	150	200	250	300	350	400
L	mm	368	419	381	457	610	737	838	965	1029	1130
L1	mm	371	422	384	460	613	740	841	968	1038	1140
L2	mm	368	419	381	457	610	737	838	965	1029	1130
H	mm	200	260	285	324	424	522	545	590	640	700
WT (RF)	Kg	58	76	100	140	294	700	724	870	1254	1800

CLASS 1500											
SIZE	inch	2	2 1/2	3	4	6	8	10	12	14	16
	mm	50	65	80	100	150	200	250	300	350	400
L	mm	368	419	470	546	705	832	991	1130	1257	1384
L1	mm	371	422	473	549	711	841	1000	1146	1276	1407
L2	mm	368	419	470	546	705	832	991	1130	1257	1384
H	mm	200	270	285	353	470	561	660	750	850	955
WT (RF)	Kg	66	76	123	192	481	760	1058	1440	1745	2500

BAF Swing Check Valve, Pressured Sealed, Class 900, 1500 and 2500

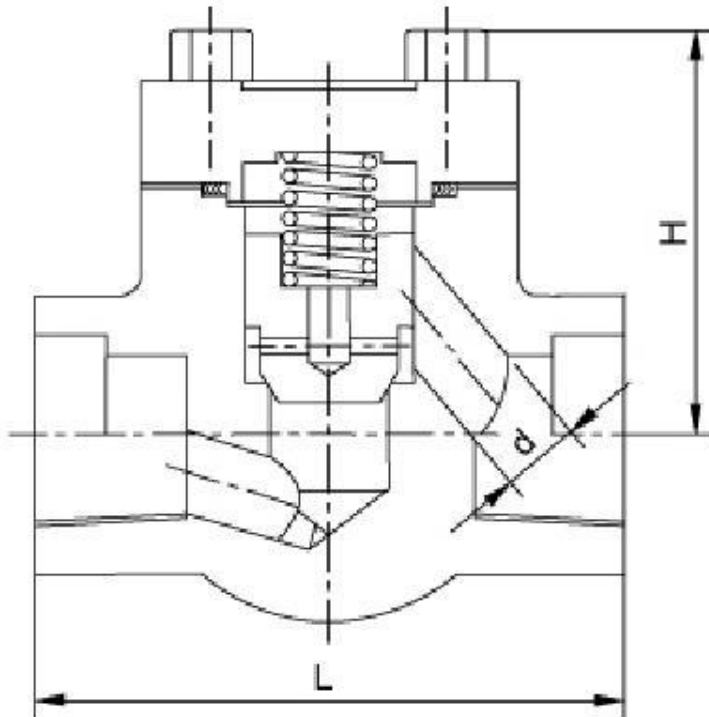


CLASS 900											
SIZE	inch	2	2 1/2	3	4	6	8	10	12	14	16
	mm	50	65	80	100	150	200	250	300	350	400
L	mm	368	419	381	457	610	737	383	965	1029	1130
L1	mm	371	422	384	460	613	740	841	968	1038	1140
L2	mm	216	454	305	356	508	660	787	914	991	1092
H	mm	215	245	292	318	400	464	517	592	640	700
WT (RF)	Kg	25	35	46	68	170	460	700	1020	1220	1350

CLASS 1500											
SIZE	inch	2	2 1/2	3	4	6	8	10	12	14	16
	mm	50	65	80	100	150	200	250	300	350	400
L	mm	368	419	470	546	705	832	991	1130	1257	1334
L1	mm	371	422	473	549	711	841	1000	1146	1276	1407
L2	mm	216	254	305	406	559	711	864	991	1067	1194
H	mm	245	265	300	342	438	534	578	648	700	770
WT (RF)	Kg	26	36	50	80	290	490	750	1110	1415	1605

CLASS 2500											
SIZE	inch	2	2 1/2	3	4	6	8	10	12	14	16
	mm	60	65	80	100	150	200	250	300	350	400
L	mm	451	508	578	673	914	1022	1270	1422	-	-
L1	mm	454	514	584	683	927	1038	1292	1445	-	-
L2	mm	279	330	368	457	610	762	914	1041	1118	1245
H	mm	250	280	308	352	440	540	580	660	790	870
WT (RF)	Kg	62	62	100	165	460	900	1300	1800	2450	3200

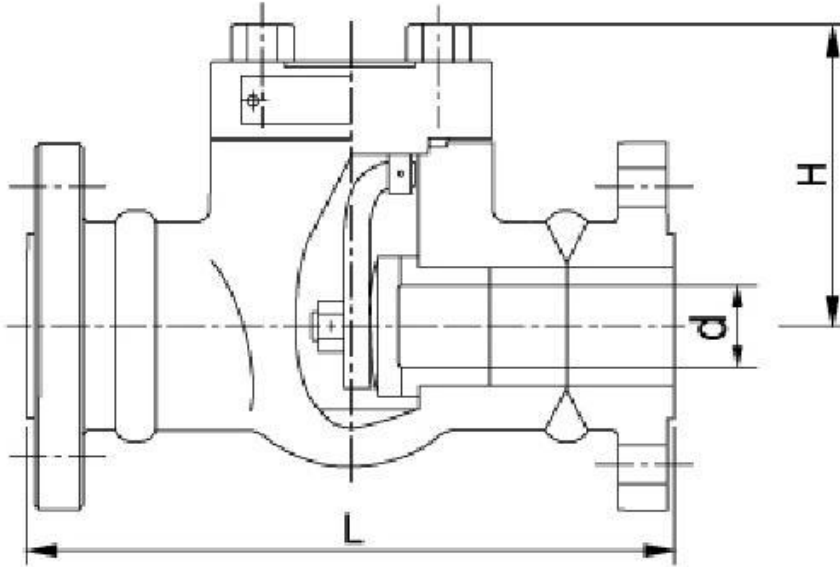
BAF Piston / Ball Check Valve, Forged Steel, NPT & SW Ends, Class 800 and 1500



CLASS 800									
SIZE				L (mm)		H (mm)		WT (Kg)	
inch		mm		Lifting Type	Swing Type	Lifting Type	Swing Type	Lifting Type	Swing Type
RB	FB	RB	FB						
1/4		8		79	79	61	61	1,0	1,0
3/8	1/4	10	8	79	79	61	61	1,1	1,1
1/2	3/8	15	10	79	79	61	61	1,2	1,2
3/4	1/2	20	15	92	92	61	61	1,4	1,3
1	3/4	25	20	111	111	78	78	2,3	1,9
1 1/4	1	32	25	120	120	84	84	3,9	3,4
1 1/2	1 1/4	40	32	152	120	103	101	5,6	4,5
2	1 1/2	50	40	172	140	118	120	8,9	7,3
	2		50	200	170	132	133	12,5	10

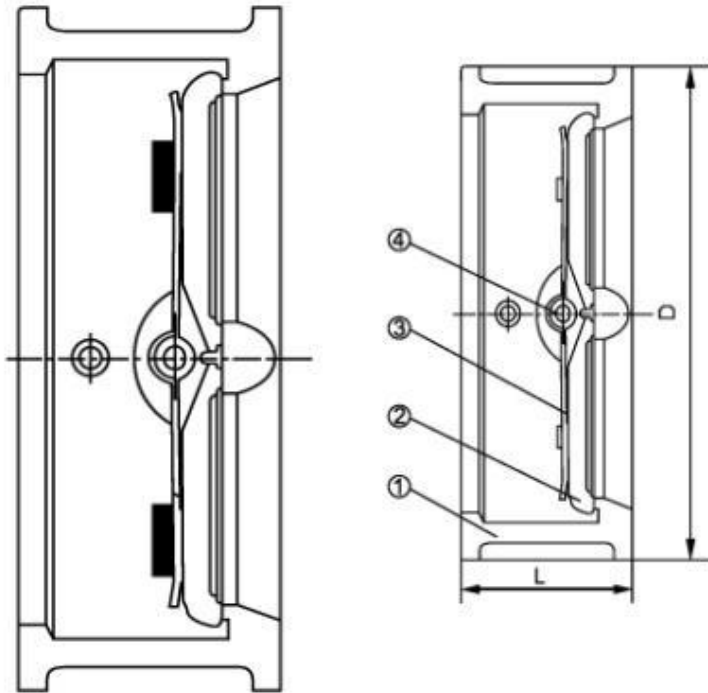
CLASS 1500									
SIZE				L (mm)		H (mm)		WT (Kg)	
inch		mm		Lifting Type	Swing Type	Lifting Type	Swing Type	Lifting Type	Swing Type
RB	FB	RB	FB						
1/4		8		111	111	79	79	3,0	3,0
3/8	1/4	10	8	111	111	79	79	3,1	3,1
1/2	3/8	15	10	111	111	79	79	3,2	3,2
3/4	1/2	20	15	111	111	79	79	3,4	3,6
1	3/4	25	20	130	120	97	97	4,8	4,3
1 1/4	1	32	25	152	140	104	105	6,9	6,1
1 1/2	1 1/4	40	32	172	140	120	120	10,7	8,8
2	1 1/2	50	40	220	162	139	140	14,6	12,6
	2		50						

BAF Flanged / Check Valve, Forged Steel, Class 150~600



CLASS 150~600											
SIZE		Class	L (mm)	H (mm)				WT (Kg)			
				Lifting Type		Swing Type		Lifting Type		Swing Type	
inch	mm										
1/2	15	150	108					2,6	3,4	2,5	3,3
		300	152	61	61	61	61	2,7	3,7	2,6	3,6
		600	165					3,0	4,0	2,9	4,3
3/4	20	150	117					3,4	4,4	3,3	4,8
		300	178	61	78	61	78	3,7	4,7	3,6	5,1
		600	190					4,0	5,8	4,3	6,2
1	25	150	127					4,4	8,2	4,8	7,0
		300	203	78	84	78	84	4,7	8,8	5,1	7,4
		600	216					5,8	9,5	6,2	7,7
1 1/4	32	150	229					8,2	8,9	7,0	7,5
		300	165	84	103	84	101	8,8	9,6	7,4	7,9
		600	229					9,5	10,1	7,7	9,3
1 1/2	40	150	165					8,9	12,0	7,5	11,3
		300	229	108	118	101	120	9,6	13,7	7,9	11,7
		600	241					10,1	15,6	9,3	13,2
2	50	150	203					12,6	14,3	11,3	13,6
		300	267	118	132	120	133	13,7	17,8	11,7	16,8
		600	292					15,6	24,6	13,2	20,5

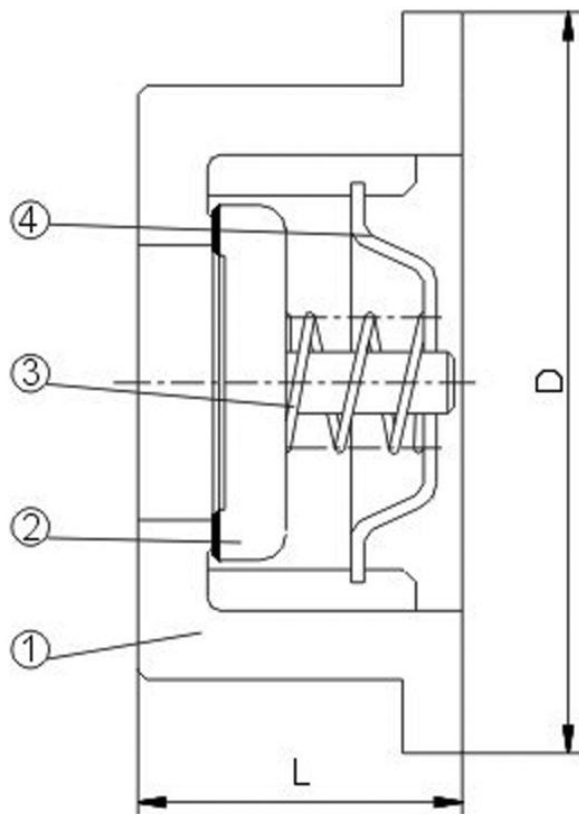
BAF Wafer Dual Plate Check Valve, Class 150~1500



Valve Part Name		Material
1	Body	WCB, CF8, CF8M, CF3, CF3M
2	Plate	WCB, CF8, CF8M, CF3, CF3M
3	Spring	INCONEL, 17-7PH
4	Valve Shaft	F6a, 304, 316, 304L, 316L, 17-7PH

CLASS 150~1500															
SIZE	CLASS 150			CLASS 300			CLASS 600			CLASS 900			CLASS 1500		
	L	D	WT	L	D	WT	L	D	WT	L	D	WT	L	D	WT
inch	mm	mm	Kg	mm	mm	Kg	mm	mm	Kg	mm	mm	Kg	mm	mm	Kg
2	60	103	2	60	110	3	60	110	4	70	140	8	70	140	8
2 1/2	67	122	3	67	128	4	67	128	5	83	162	11	83	162	11
3	73	135	4	73	147	6	73	147	6	83	165	14	83	172	19
4	73	175	6	73	179	8	79	191	11	102	204	20	102	207	26
5	86	195	8	86	214	15	105	239	20	110	245	30	110	252	51
6	98	220	13	98	249	18	136	264	26	159	286	42	159	280	68
8	127	277	25	127	305	31	165	318	55	206	356	84	206	350	130
10	146	337	39	146	359	51	213	398	95	241	432	145	248	433	210
12	181	407	54	181	420	77	229	455	140	292	495	220	305	518	384
14	184	448	80	222	483	117	273	490	223	356	518	350	356	576	550
16	191	512	117	232	537	190	305	562	360	384	572	470	384	639	635
18	203	457	138	264	594	200	362	610	395	451	635	605	-	-	-
20	219	604	163	292	652	265	368	680	518	451	695	820	-	-	-
24	222	715	331	318	772	410	438	786	836	495	835	1050	-	-	-
28	305	773	380	-	-	-	-	-	-	-	-	-	-	-	-
30	305	824	425	368	882	660	-	-	-	-	-	-	-	-	-
32	305	878	560	-	-	-	-	-	-	-	-	-	-	-	-

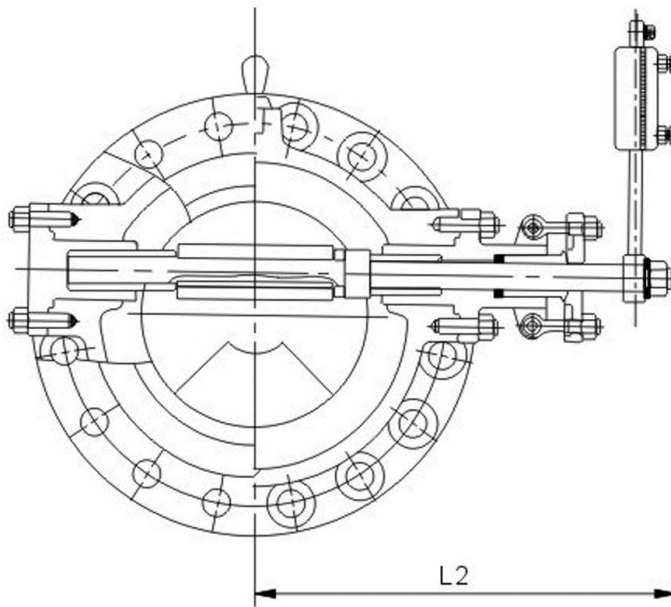
BAF Wafer Lifting Check Valve, Class 150~900



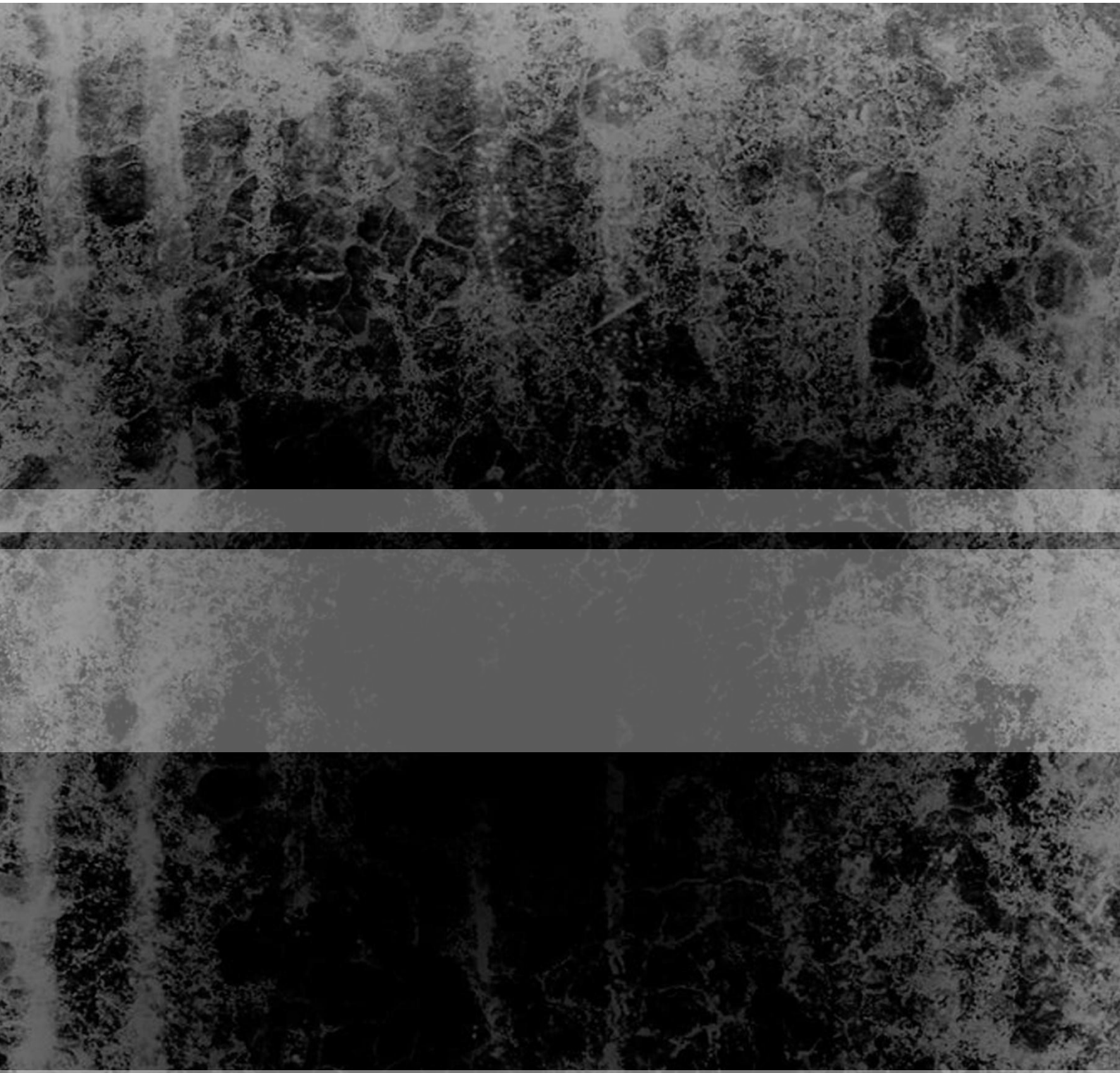
Valve Part Name		Material
1	Body	WCB, CF8, CF8M, CF3, CF3M
2	Plate	WCB, CF8, CF8M, CF3, CF3M
3	Spring	INCONEL, 17-7PH
4	Valve Shaft	F6a, 304, 316, 304L, 316L, 17-7PH

CLASS 150~900												
SIZE	CLASS 150			CLASS 300			CLASS 600			CLASS 900		
	L	D	WT	L	D	WT	L	D	WT	L	D	WT
inch	mm	mm	Kg	mm	mm	Kg	mm	mm	Kg	mm	mm	Kg
1/2	25	46	0,28	25	52	0,3	25	52	0,4	25	62	0,6
3/4	31,5	56	0,42	31,5	65	0,46	31,5	65	0,8	31,5	69	0,9
1	35,5	65	0,56	35,5	72	0,6	35,5	72	1,0	35,5	77	1,2
1 1/4	40	74	0,75	40	81	0,8	40	81	1,3	40	87	1,5
1 1/2	45	84	1,3	45	94	1,5	45	94	1,8	45	97	2
2	56	103	2,1	56	110	2,4	56	110	2,8	56	140	5,5
2 1/2	63	122	2,8	63	128	3	63	128	4	63	462	7,5
3	71	135	3,6	71	147	40	71	147	6	71	165	8
4	80	173	4,8	80	179	5,5	80	191	11	80	204	14
5	110	195	12	110	214	13	110	239	25	110	245	27
6	125	220	17	125	249	22	125	264	32	125	286	41
8	160	277	29	360	305	36	160	318	52	160	356	76

BAF Non Slam Check Valve, Class 150~600 and 900~1500



CLASS 150~900												
SIZE	CLASS 150			CLASS 300			CLASS 600			CLASS 900		
	L	D	WT	L	D	WT	L	D	WT	L	D	WT
inch	mm	mm	Kg	mm	mm	Kg	mm	mm	Kg	mm	mm	Kg
1/2	25	46	0,28	25	52	0,3	25	52	0,4	25	62	0,6
3/4	31,5	56	0,42	31,5	65	0,46	31,5	65	0,8	31,5	69	0,9
1	35,5	65	0,56	35,5	72	0,6	35,5	72	1,0	35,5	77	1,2
1 1/4	40	74	0,75	40	81	0,8	40	81	1,3	40	87	1,5
1 1/2	45	84	1,3	45	94	1,5	45	94	1,8	45	97	2
2	56	103	2,1	56	110	2,4	56	110	2,8	56	140	5,5
2 1/2	63	122	2,8	63	128	3	63	128	4	63	462	7,5
3	71	135	3,6	71	147	40	71	147	6	71	165	8
4	80	173	4,8	80	179	5,5	80	191	11	80	204	14
5	110	195	12	110	214	13	110	239	25	110	245	27
6	125	220	17	125	249	22	125	264	32	125	286	41
8	160	277	29	360	305	36	160	318	52	160	356	76



Head office :

Our office in the Netherlands

Kanaalstraat 7
4905 BH Oosterhout
The Netherlands
Tel : +31 162 46 08 40
Fax : +31 162 46 04 88
Email : info@bafvalves.nl

Our office in Kuwait

Mina Abdullah Industila Area
Block 5, Area 72A-96 Shuaiba
Kuwait
Tel : +965 2326 0744
Fax : +965 2326 0774
Email : info@bafvalves.nl

Our office in Singapore

21 Bukit Batok Crescent
#06-82, WCEGA Tower
Singapore 658065
Tel : +65 6570 0212
Fax : +65 6570 0210
Email : info@bafvalves.nl

Our office in Hong Kong

Aberdeen
Unit 1711-1714
17th floor Hing Wai
No. 7 Tin Wan
Hong Kong
Email : info@bafvalves.nl

Our office in Jiaxing

No. 26 Qiangsheng Road,
Xincheng Town, Xiuzhou
District, Jiaxiang Zhejiang
Province 314015, People's
Republic of China
Email : info@bafvalves.nl

Our office in UAE

PO Box 50567
Hamriyah Free Zone – Shj
United Arab Emirates
Email: info@bafvalves.com

Our office in Shanghai

RM1811 Far East Building
No.1101 South Pudong
Rd. Pudong,
Shanghai 200120 China
Email: info@bafvalves.com